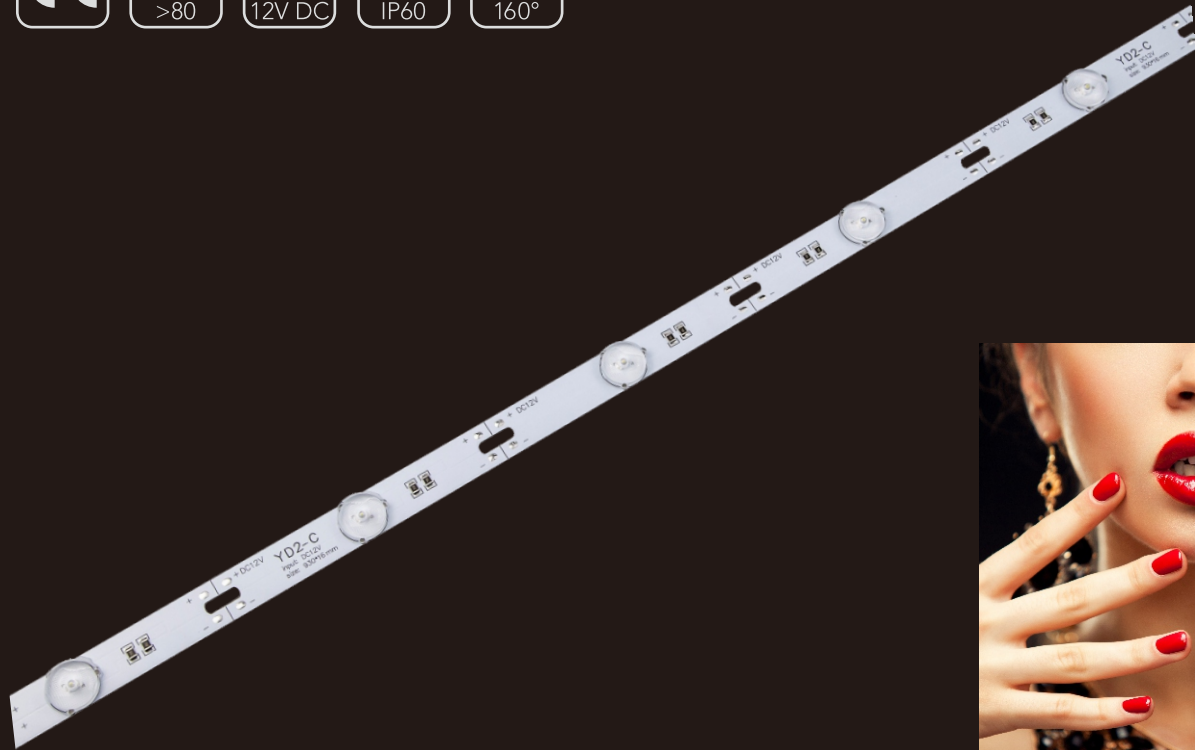


Cost-effective product for slim light box



Features

- Adopt 9V , led SMD 2835
- Special secondary light dissipation lens with uniform lightness
- Adopt aluminum PCB is easy to dissipate heat
- SM-2A connector, easy to install.
- Available in 5 leds / 50cm,10 leds/ 100cm

Application

5-12 cm thickness for lighting box and signage

BLUEVIEW ELEC-OPTIC TECH CO.,LTD

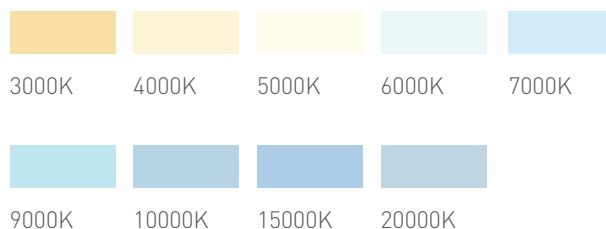
Tel: +86-28-8148 0011 Fax: +86-28-8148 1258
Mail: sales@blueviewled.com Web: www.blueviewled.com
Add: No.1000, Section 2, 2nd Konggang Road, Southwest
Aviation Industrial Development Zone, Chengdu,Sichuan, China.
Zip code: 610207

Specifications are subject to change without notice.
©Blueview™ 2016 – All rights reserved. Made in China.

Parameters

Code Name	YD2-C-4305	YD2-C-9310
Color	white	
CCT (K)	3000K-20000K	
View Angle	160	
Luminous Flux	432	864
CRI Ra	80	
Light Efficiency	90	
Voltage	12	
Current	400	800
Power (W/pcs)	4.8	9.6
Standard Serial Connection Qty/pcs	6	3
Operating Temperature	-25~+60°C	
Storage Temperature	-25~+70°C	
Protection Class	IP60	

Color Available

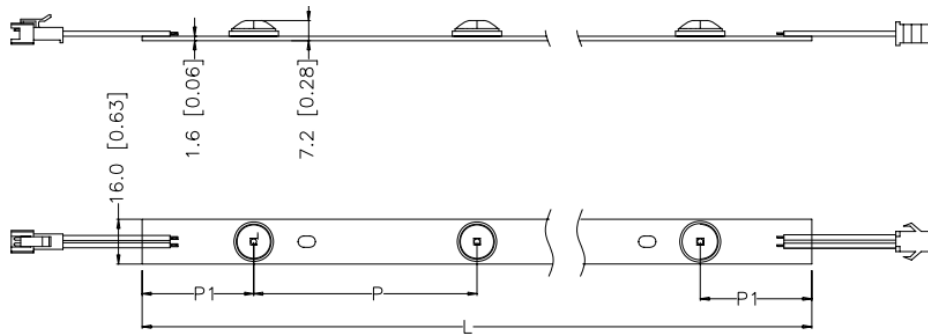


BLUEVIEW ELEC-OPTIC TECH CO.,LTD

Tel: +86-28-8148 0011 Fax: +86-28-8148 1258
 Mail: sales@blueviewled.com Web: www.blueviewled.com
 Add: No.1000, Section 2, 2nd Konggang Road, Southwest
 Aviation Industrial Development Zone, Chengdu, Sichuan, China.
 Zip code: 610207

Specifications are subject to change without notice.
 ©Blueview™ 2016 – All rights reserved. Made in China.

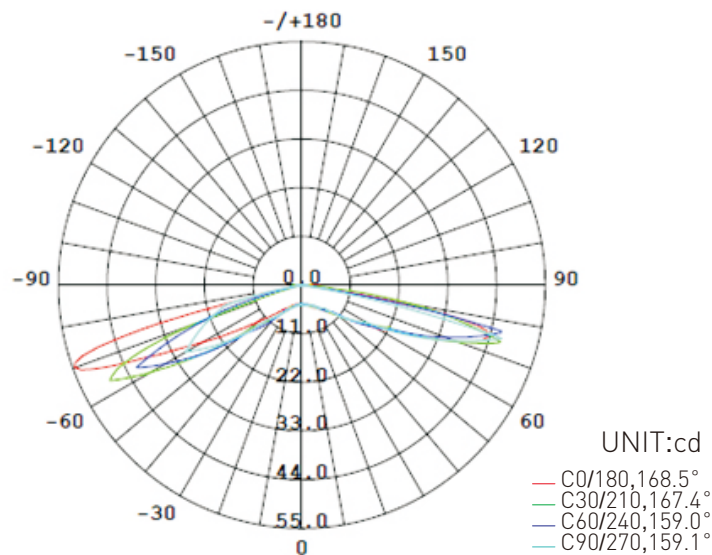
Structure Chart



unit: mm[inch]

Lenght "L"	Pitch "P"	Pitch "P1"	LED S/PC
930[36.6]	100[3.94]	15[0.59]	10
430[16.93]	100[3.94]	15[0.59]	5

Luminous Intensity Distribution Diagram



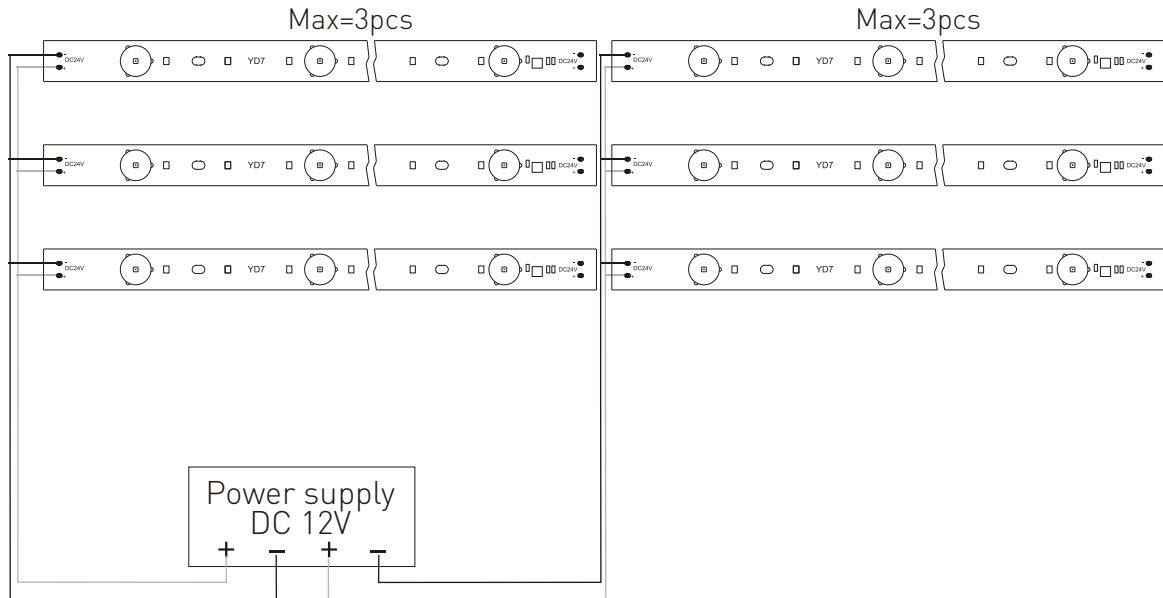
AVERAGE BEAM ANGLE (50%):163.5°

BLUEVIEW ELEC-OPTIC TECH CO.,LTD

Tel: +86-28-8148 0011 Fax: +86-28-8148 1258
 Mail: sales@blueviewled.com Web: www.blueviewled.com
 Add: No.1000, Section 2, 2nd Konggang Road, Southwest
 Aviation Industrial Development Zone, Chengdu, Sichuan, China.
 Zip code: 610207

Specifications are subject to change without notice.
 ©Blueview™ 2016 – All rights reserved. Made in China.

Installation



Installation scheme for reference

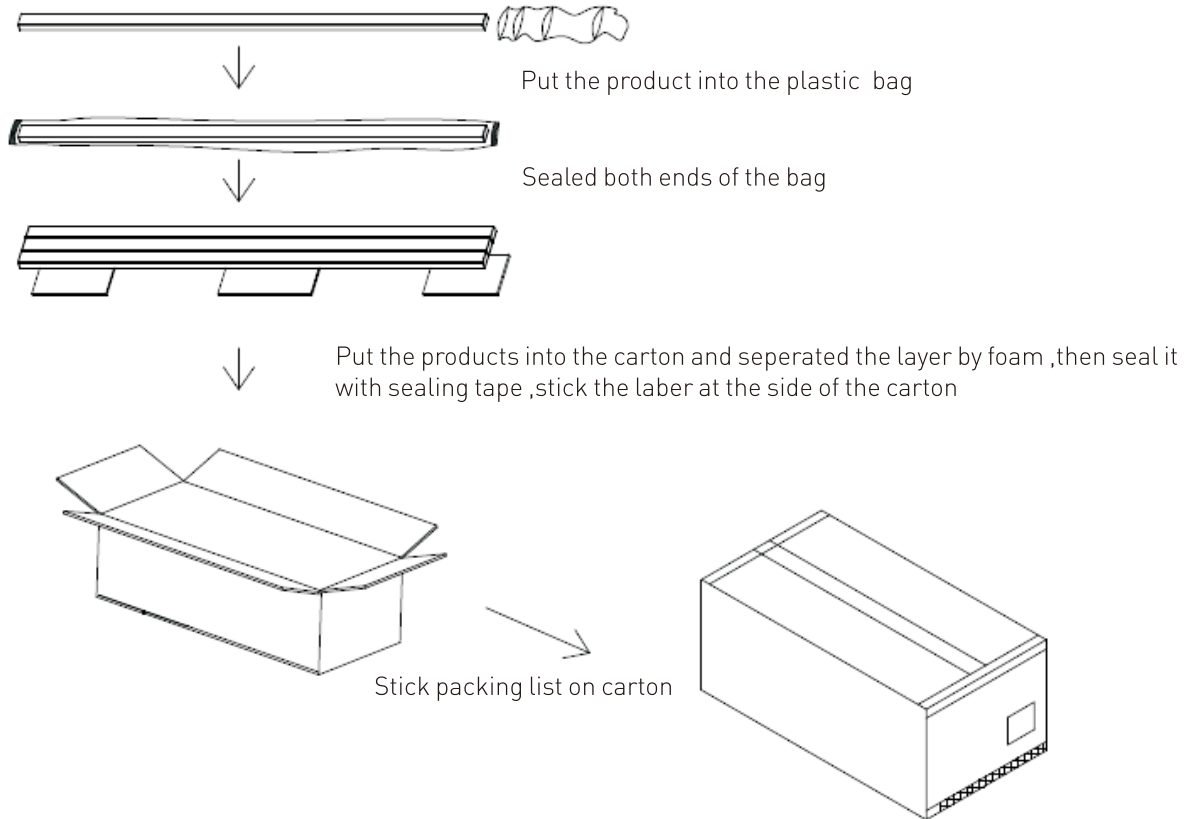
Part No.	Bottom	Surface material	Depth (cm)	Illumination intensity (LUX)	Installation density (pcs/m ²)	Distance (cm)
YD2-C	White board	3mm Acrylic sheet	5	4940-5680	10	9
			6	4260-4820	8	11
			7	3360-4080	7	13
			8	3020-3550	6	15
			9	3300-3910	10	9
			10	3000-3870	8	11
			11	2500-2920	7	13
			12	2280-2630	7	15

BLUEVIEW ELEC-OPTIC TECH CO.,LTD

Tel: +86-28-8148 0011 Fax: +86-28-8148 1258
 Mail: sales@blueviewled.com Web: www.blueviewled.com
 Add: No.1000, Section 2, 2nd Konggang Road, Southwest
 Aviation Industrial Development Zone, Chengdu, Sichuan, China.
 Zip code: 610207

Specifications are subject to change without notice.
 ©Blueview™ 2016 – All rights reserved. Made in China.

Package



Notice:

1. Carton size: outside carton with five layers of cardboard.Specification as below:

Part No.	Product Size (mm)	CTN Size (mm)	QTC (pcs)	Net Weight (kg)	Gross Weight (kg)
YD2-C-4305	430*16	550*400*340	160	10.5(1±10%)	11.8(1±10%)
YD2-C-9310	930*16	1000*185*185mm	80	9.5(1±10%)	10.8(1±10%)

2. This product packed by transparent PE bag, one piece in one bag.

3. Above mentioned quantity and weight are based on above packing method only, quantity and weight differs when applying other packing, please refer to actual situation.

BLUEVIEW ELEC-OPTIC TECH CO.,LTD

Tel: +86-28-8148 0011 Fax: +86-28-8148 1258
 Mail: sales@blueviewled.com Web: www.blueviewled.com
 Add: No.1000, Section 2, 2nd Konggang Road, Southwest
 Aviation Industrial Development Zone, Chengdu,Sichuan, China.
 Zip code: 610207

Specifications are subject to change without notice.
 ©Blueview™ 2016 – All rights reserved. Made in China.